



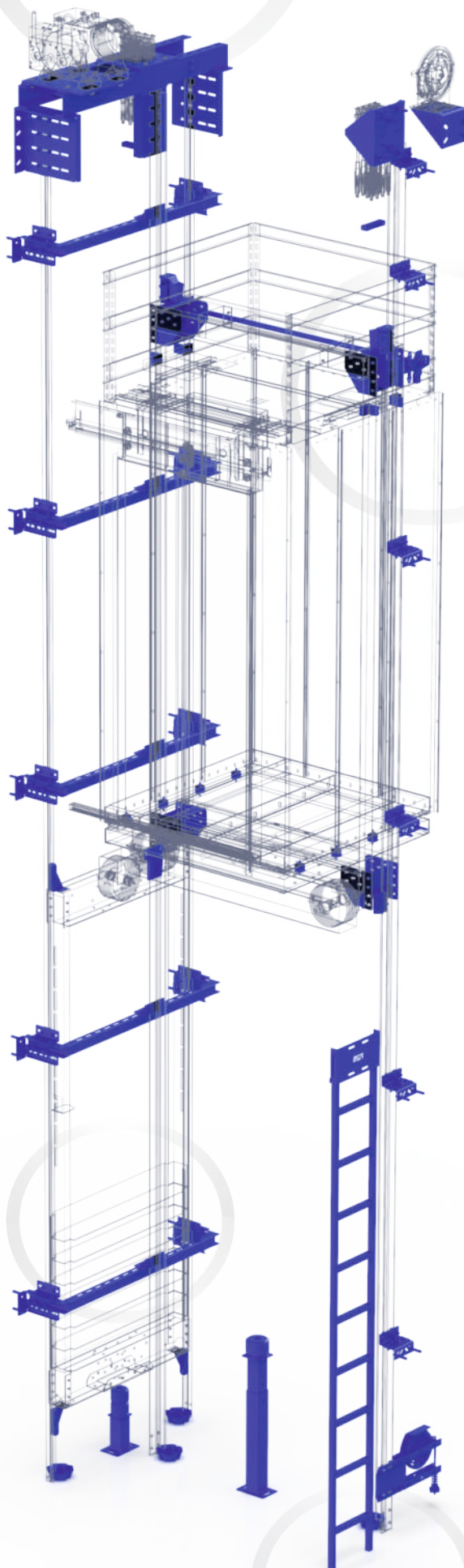
*ARES & FORTI*

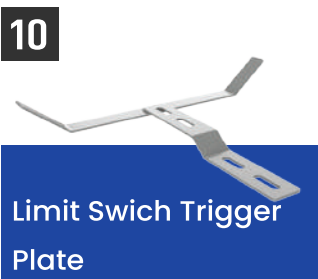
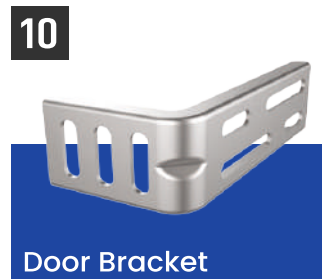
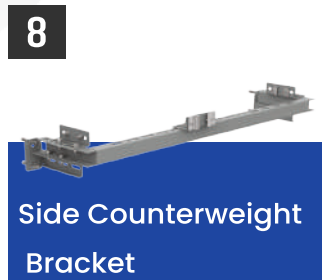
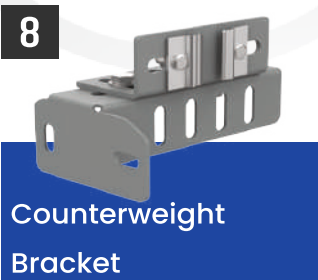
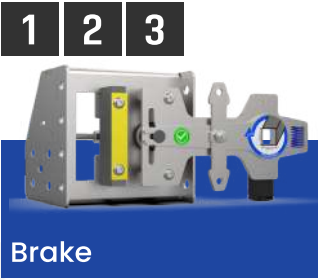
## Elevator Components MR-MRL

YOUR **SMART LIFT SOLUTION**



[www.aresforti.com](http://www.aresforti.com)





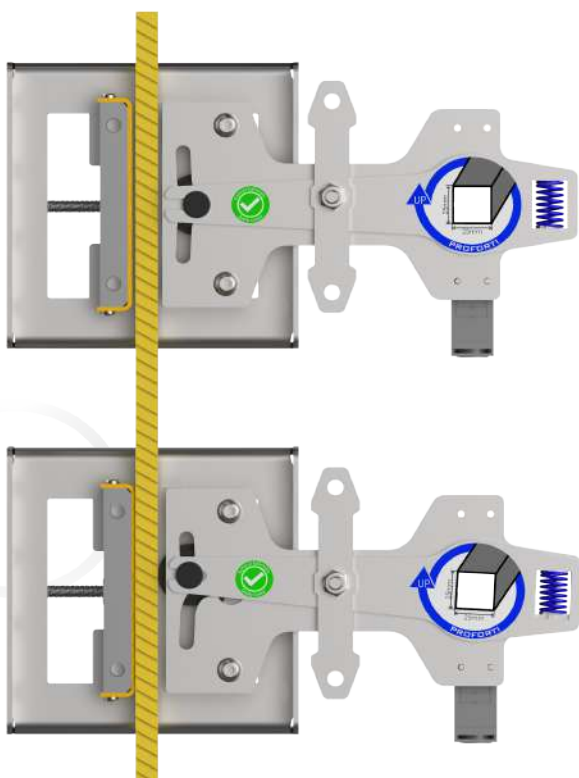




# PROFORTI

## Double-Action Sliding Elevator Safety Brake

The **Proforti** safety brake is a double-action sliding brake mechanism that activates in urgent situations such as elevator rope breakage, power outages, or when the cabin exceeds the upward or downward speed limit. It locks the speed governor and engages the brake via the rope, helping to safely slow down and stop the elevator cabin according to the distance specified in the ITS **EN 81-20 Standard**.

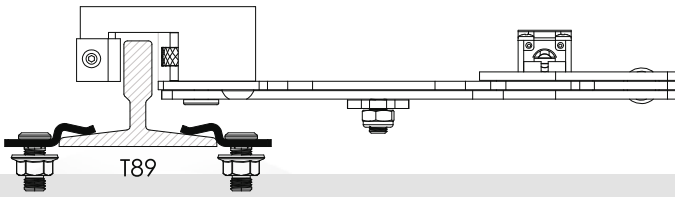


Product Type	Nominal Speed	P+Q (Min)	P+Q (Max)	Rail Thickness
Pf1	1 m/sn	700 kg	1850 kg	9 mm
Pf2	1,6 m/sn	700 kg	1400 kg	9 mm
Pf3	2 m/sn	700 kg	1050 kg	9 mm
Pf4	1 m/sn	700 kg	3000 kg	16 mm
Pf5	1,6 m/sn	700 kg	2500 kg	16 mm
Pf6	2 m/sn	700 kg	2500 kg	16 mm

## COMFORTABLE BRAKING

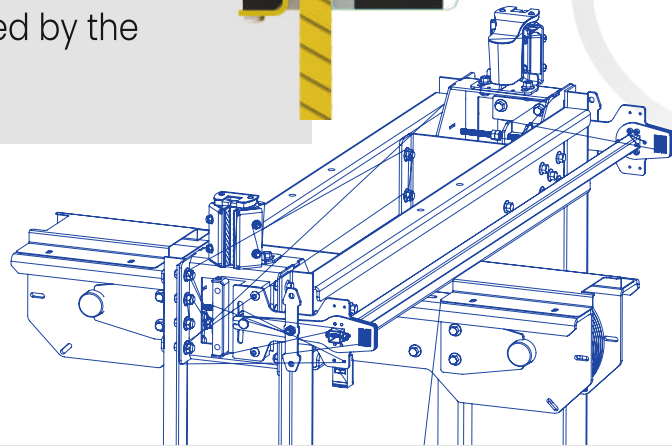
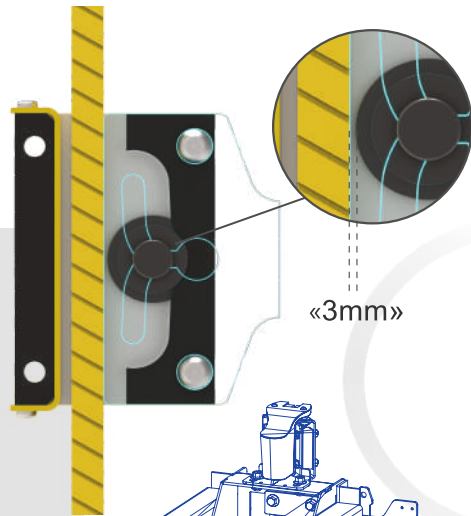
The **Proforti** Safety Brake ensures that the elevator cabin stops in compliance with The **EN 81-20** directives during urgent situations.

P+Q (Max)	Locking Speed	Comfort Value
3000 Kg	1.5 m/s	0,72 Gn
2.500 Kg	2.62 m/s	0,69 Gn



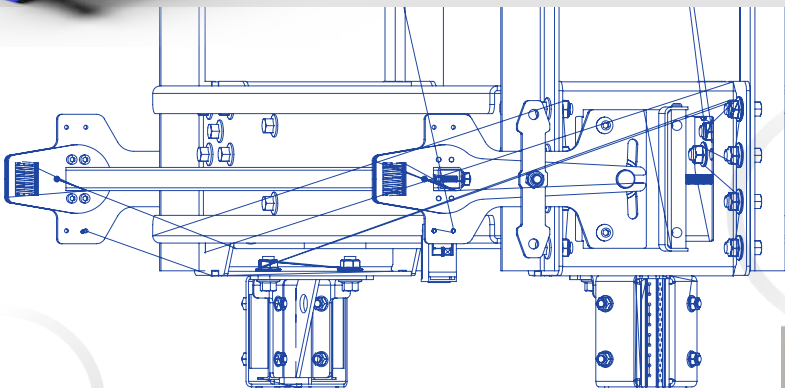
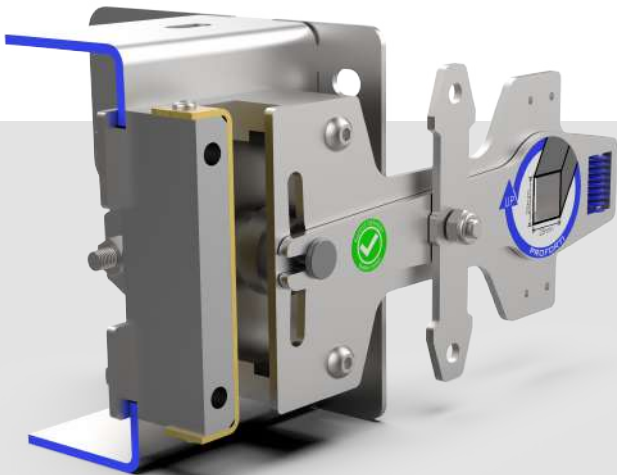
## MAGNETIC WEDGE PULL SYSTEM

The **Magnetic Wedge Pull System** eliminates unintended braking issues caused by the brake wedge contacting the rail.



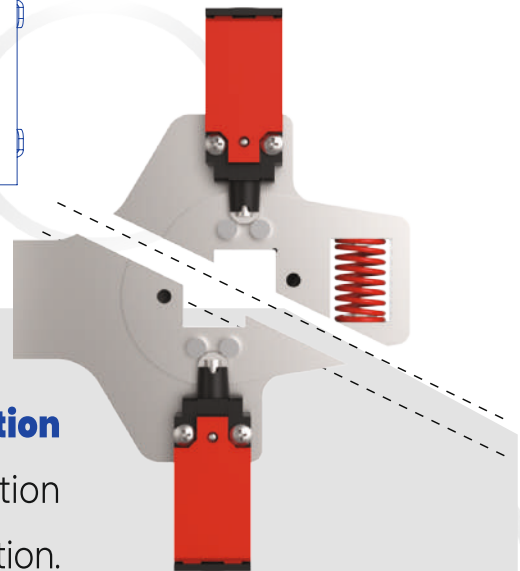
## SLIDING SYSTEM

The **sliding system** allows the brake block to move smoothly on the slide, ensuring comfortable braking without jamming and easy adjustment relative to the rail.



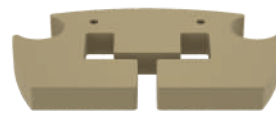
## SWITCH CONNECTION

With its multi-directional limit **switch connection** feature, you can position the switch connection upwards or downwards based on the cable direction.





## COMFORTI Guide Rail Shoes



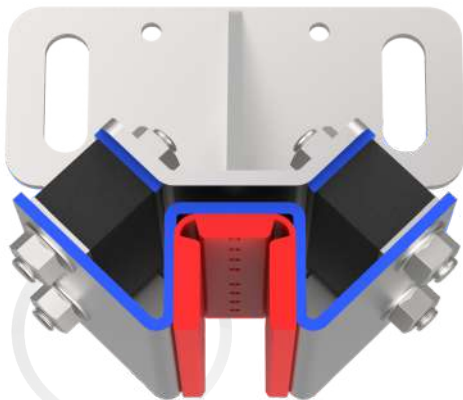
### COMFORTI SPECIAL OILER

A uniquely designed 140mm oil bowl engineered for maximum efficiency, ensuring every last drop is utilized with precision and ease.



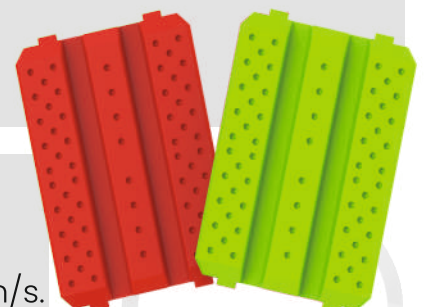
### SLIPPER PLASTIC COVER

You can easily replace the plastic slippers without disassembling the slipper block.



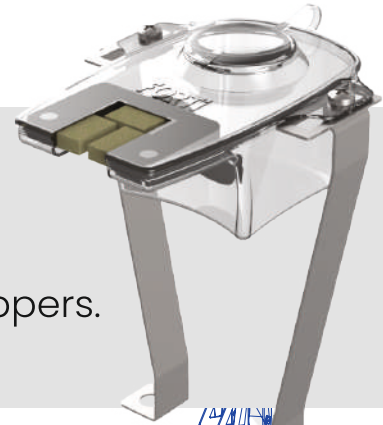
### MOVEMENT IN ALL DIRECTIONS

Vibration dampers made of 85 Shore hardness rubber material, mounted at a 45° angle between the body and the movable block, allow the block to move safely up to 4 mm in all directions, enhancing cabin comfort.



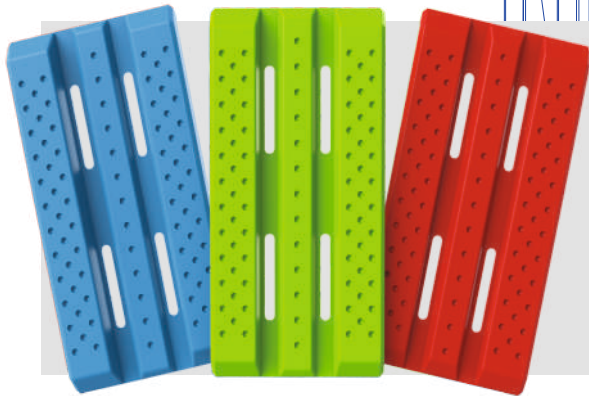
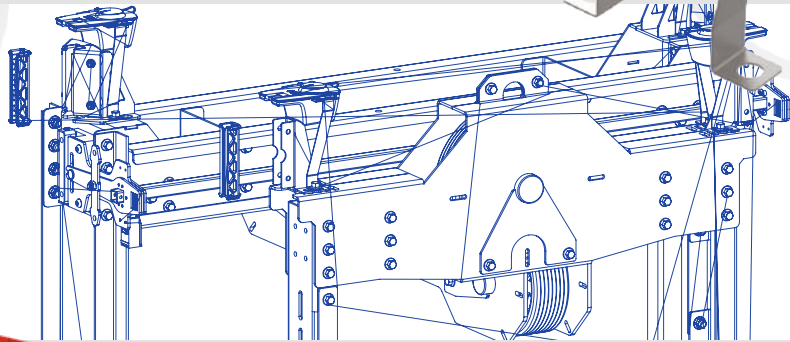
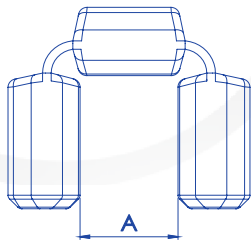
### FOLDABLE SLIPPER

Made of wear-resistant polyurethane material, it operates quietly and has a maximum working speed of 2 m/s.



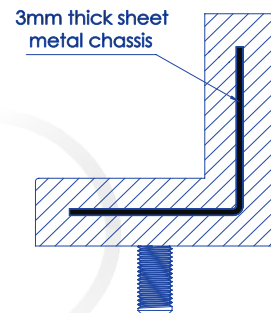
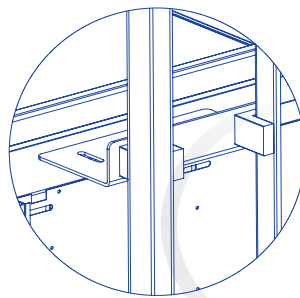
## OILER

Used for regularly lubricating the rails.  
Compatible with cabin and counterweight slippers.  
The oil seals are made of original lamb's wool.



## FOLDABLE SLIPPER

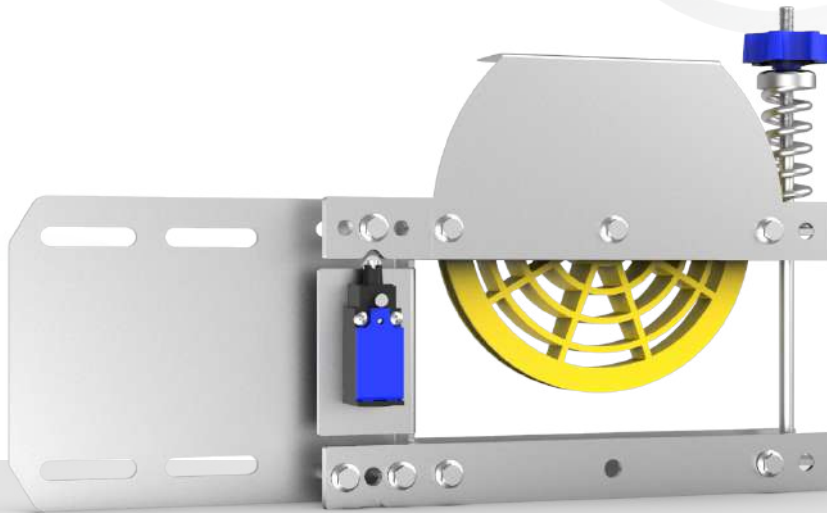
Made of wear-resistant polyurethane material, it operates quietly and has a maximum working speed of 2 m/s.



## Cabin Rubber Fixer

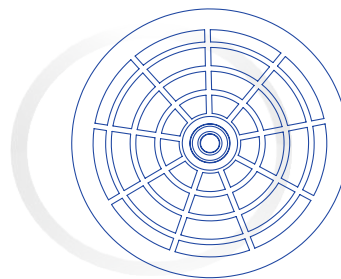
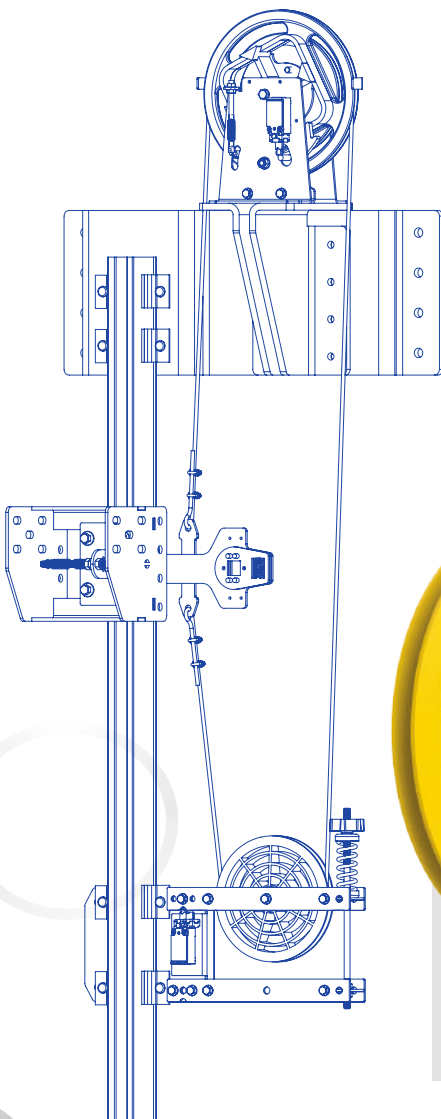
Used to mount the cabin and suspension, preventing vibration and noise from being transmitted to the cabin during elevator operation. It is made of 3 mm thick sheet metal with rubber molding.





## Tensioner Mechanism

The **Tensioner Mechanism** ensures the governor rope remains taut and provides a minimum pulling force of 300 N on the rope arms connected to the brake system. For proper operation of the lower tension pulley, the pulley must not press against the floor-parallel switch contact and must be installed with at least 60 kg of suspension load.

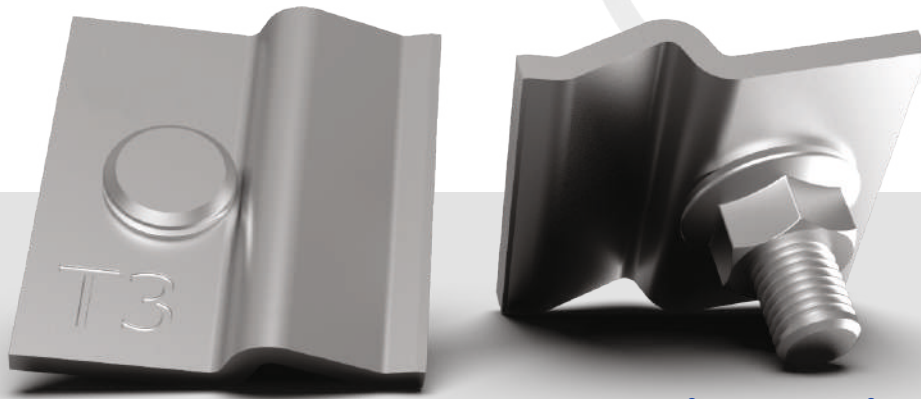


### Pulley Ø200

A robust pulley design with 9 arms connected at 3 different points, made of copolymer, resistant to wear and breakage.





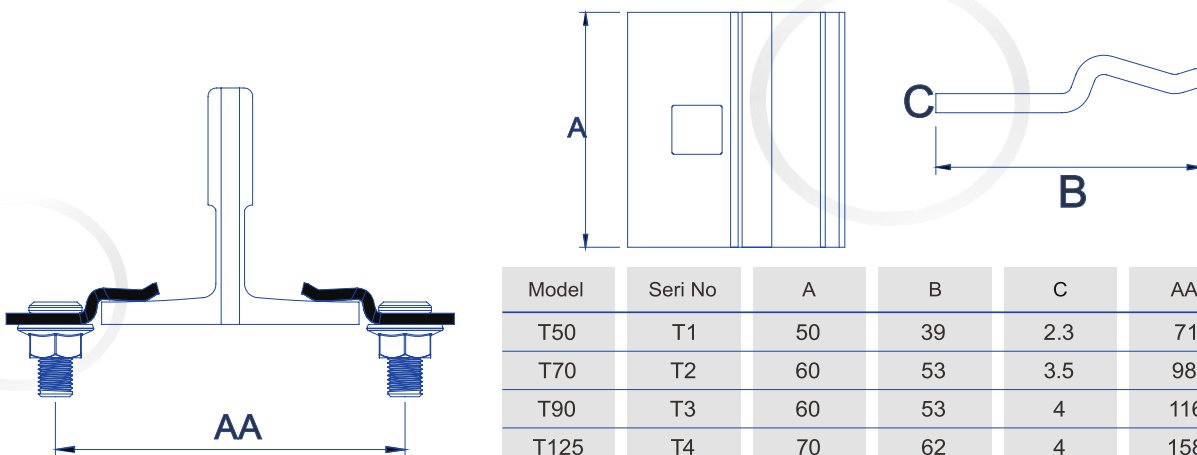
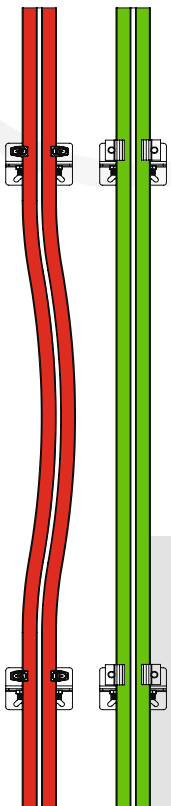


## Guide Rail Nails

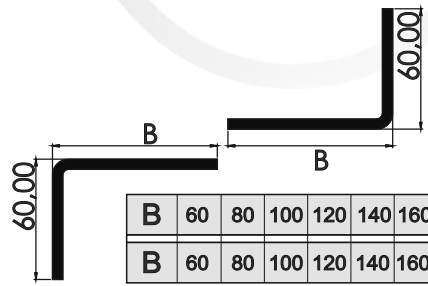
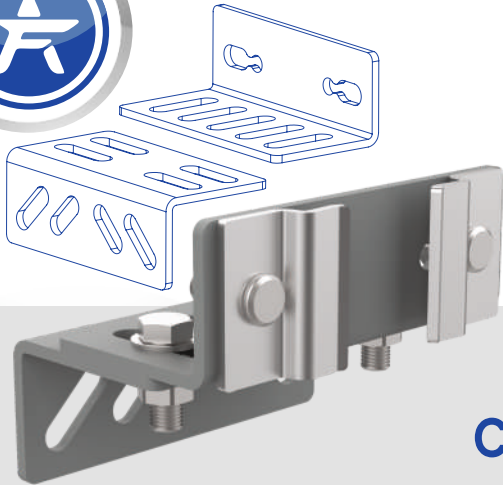
Aresforti sheet metal nails allow rails to expand without bending due to temperature changes. Excessive pressure from nails can cause rails to bend and lose their flatness. Aresforti rail nails are designed to prevent bending while allowing elongation. They are particularly suitable for high-rise buildings.

The shape and thickness of the clip are critical for applying the appropriate pressure. Tested to withstand up to 1134 kg of pulling force, the product is approved by **KOSGEB**.

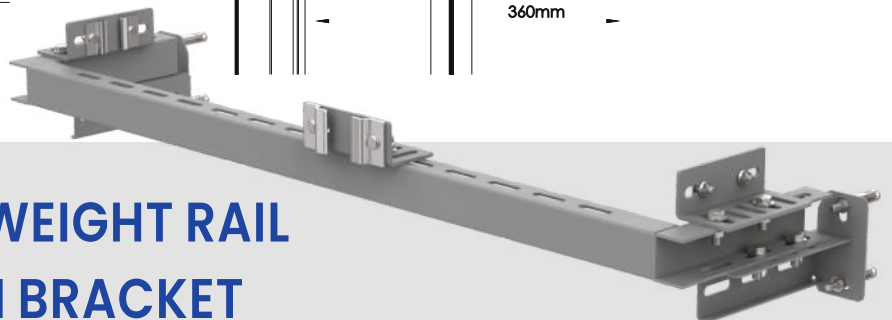
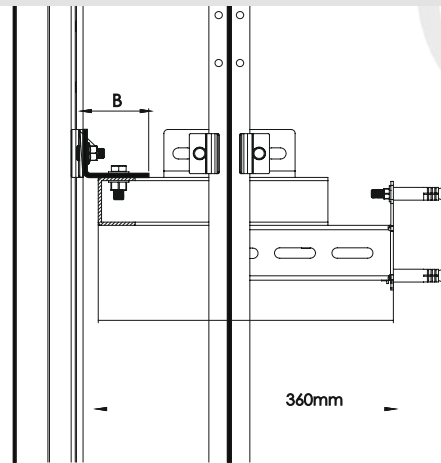
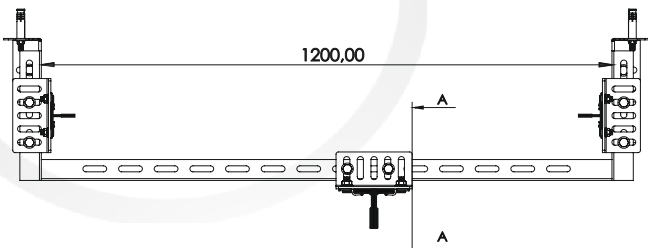
The ergonomic design ensures that the magnetic tubes do not collide with the clip.



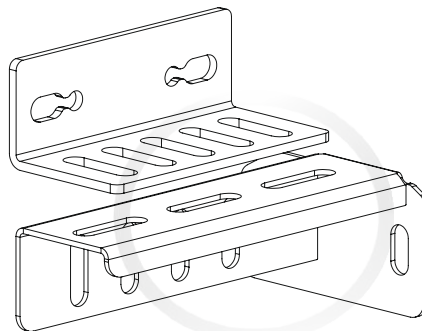
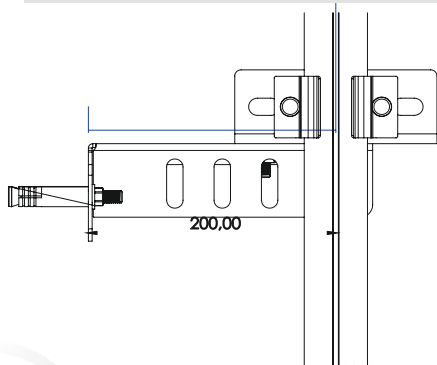
Model	Seri No	A	B	C	AA
T50	T1	50	39	2.3	71
T70	T2	60	53	3.5	98
T90	T3	60	53	4	116
T125	T4	70	62	4	158
T127	T5	70	70	5	160
		80	82	6	175



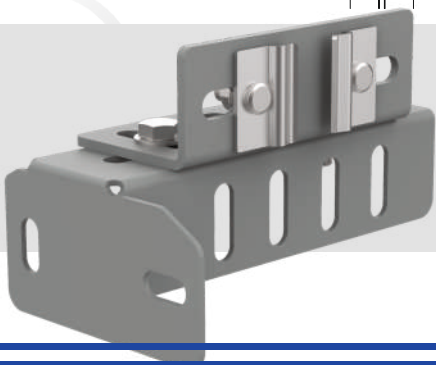
## RAIL AND WALL CONNECTION BRACKET

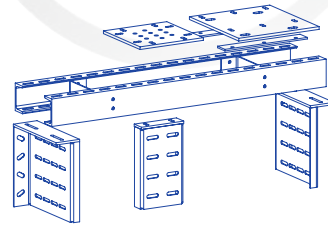
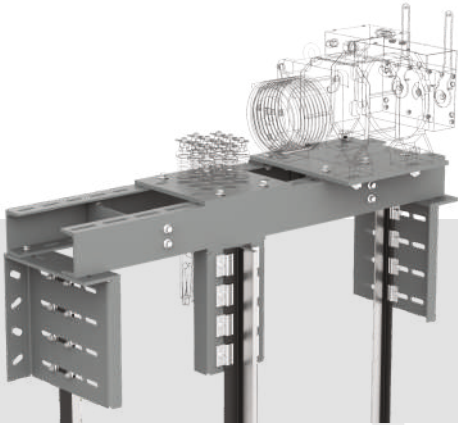


## SIDE COUNTERWEIGHT RAIL CONNECTION BRACKET



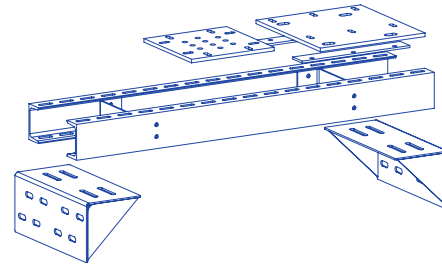
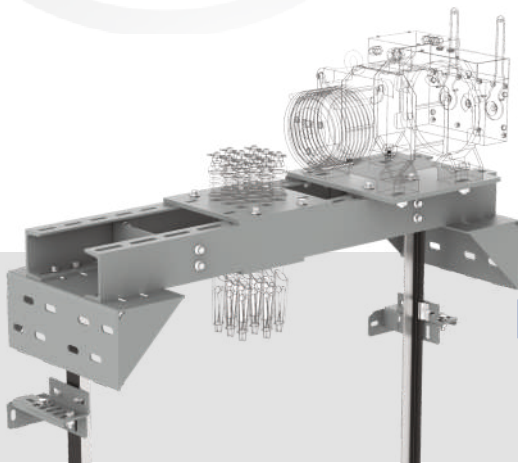
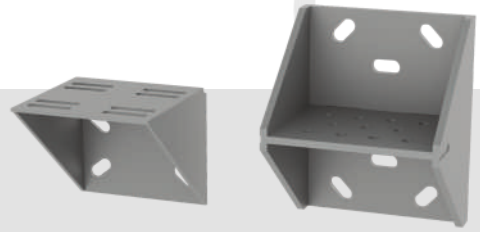
## REAR COUNTERWEIGHT RAIL CONNECTION BRACKET





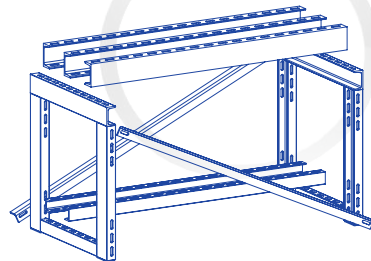
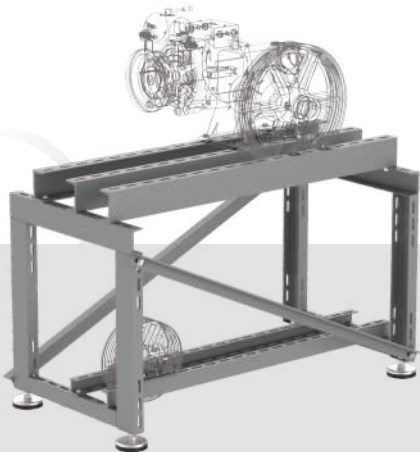
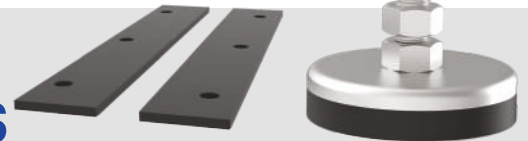
## SIDE COUNTERWEIGHT MRL MACHINE CHASSIS

## GOVERNOR BRACKET ROPE PULLEY BRACKET



## REAR COUNTERWEIGHT MRL MACHINE CHASSIS

## MRL RUBBER MACHINE MOUNT MR MACHINE CHASSIS FEET PADS



## MR MACHINE CHASSIS

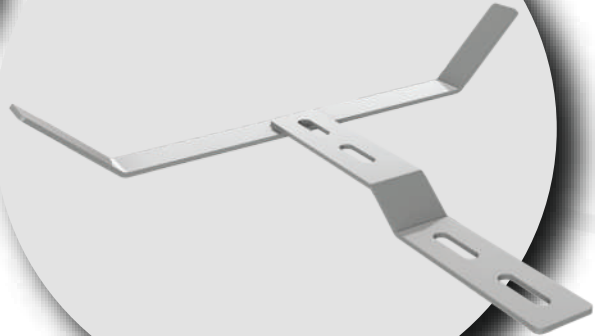


**ROPE HOOK**



**500  
KG**

**LIMIT SWITCH**



**DOOR BRACKET**



**LADDER**

**3  
MT**

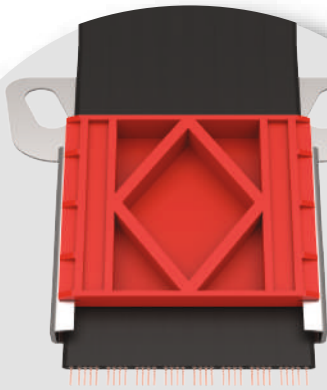


**PIT BUFFER**





36  
LINE



FLEX CABLE  
HOLDER

6.5  
mm

10  
mm

ROPE HOLDER



OIL CUP

T90

T70

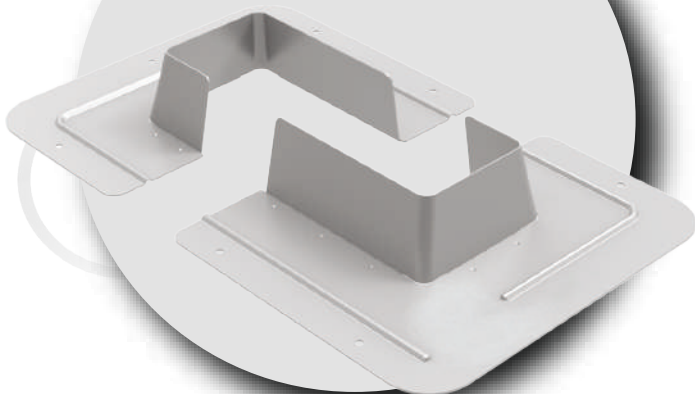
T50



PLASTIC ROPE  
PROTECTOR



METAL ROPE  
PROTECTOR







***ARES & FORTI***

## **ARESFORTI ELEVATOR**

📍 Aydınlı Sb Mah. Matras Cad. Kopuzlar Binası – No: 3

İç Kapı No: B03 Tuzla / İstanbul

☎ +90 850 551 5852 | 📞 +90 542 328 28 99

🌐 [www.aresforti.com](http://www.aresforti.com) | ✉ [sales@aresforti.com](mailto:sales@aresforti.com)